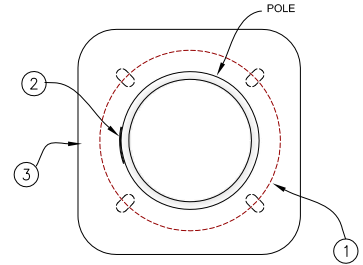


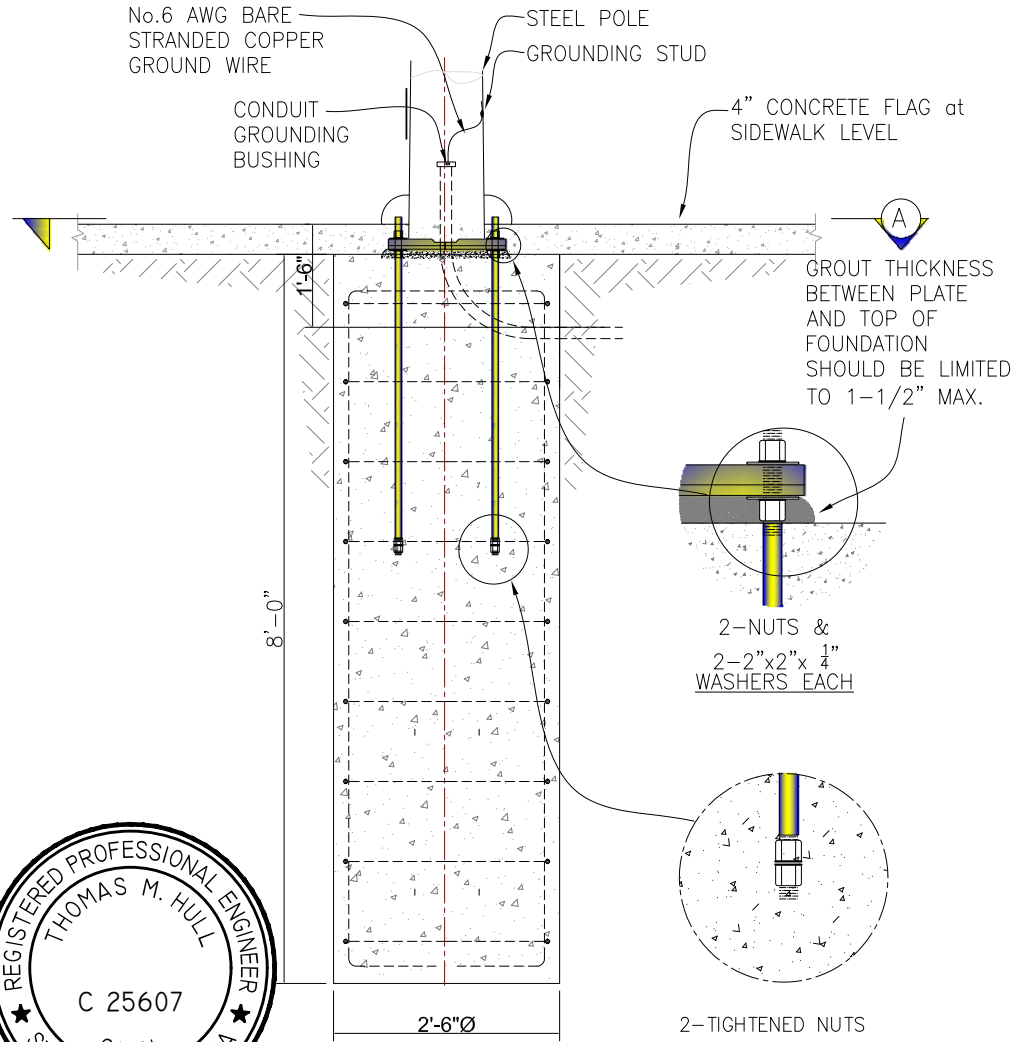
ANCHORAGE DETAIL NOTES:

- ① 11" BOLT CIRCLE
- ② HANDHOLE (TYP)
- ③ 11.5" SQUARE BASE PLATE



ANCHORAGE DETAIL

Scale: _____NTS



NOTES:

1. CONCRETE STRENGTH TO BE 4,000psi, CLASS 7 4000-1, 1.5 WITH 4-INCHES MAXIMUM SLUMP.
2. REINFORCING TO BE ASTM A615, GR. 60.
3. FOUNDATION SET TO CURE A MINIMUM OF 5-DAYS.
4. ALL MATERIALS and DIMENSION OF PIER FOOTING ARE DESCRIBED BY TECHNICAL MEMO FROM PUC/EMB-STR GROUP (AUGUST 2016).
5. IF ALL ANCHOR BOLTS ARE ALL-THREAD RODS, RODS AND NUTS SHALL BE HOT-DIP GALVANIZED.



**City and County of San Francisco
PUBLIC UTILITIES COMMISSION
POWER ENTERPRISE
UTILITY SERVICES / STREET LIGHTING**

NO.	DATE	DESCRIPTION	BY	APP.
9/28/2020		washer removed, added Note-5.		
8/31/2020		Project Title Changed..	RHuang	

TABLE OF REVISIONS
CHECK WITH TRACING TO SEE IF YOU HAVE LATEST REVISION

DETAILED By: RClavel DATE: 9/22/2020	APPROVED: HDoan MAINTENANCE SECTION DATE: 8/31/2020	PROJECT TITLE:
RECOMMENDED By: EDille DATE: 4/2/2019	APPROVED: ALashanlo ENGINEERING SECTION DATE: 8/31/2020	
REVIEWED By: RHuang DATE: 9/22/2020	APPROVED: RStephens SECTION MANAGER DATE:	
APPROVED: (EMB-Structural) THOMAS Hull DATE: 9/24/2020		

**Streetlight Standard Steel Pole
Foundation Installation Detail2**

SPECIFICATION NO.
DRAWING NO. 1 OF 1
FILE NO. PEENG-10
REV. NO.

Plot Time: Tue, 06 Oct 2020 - 12:52pm
 Drawing Path: W:\B\HPV\SL Technical Engineering, Pole Asset Management and Mapping As-Built\SL Recommended Construction\PEENG-10 SL Standard Steel Pole Foundation Installation Detail2.dwg (2020 Oct 06) dwg. Login: rclavel