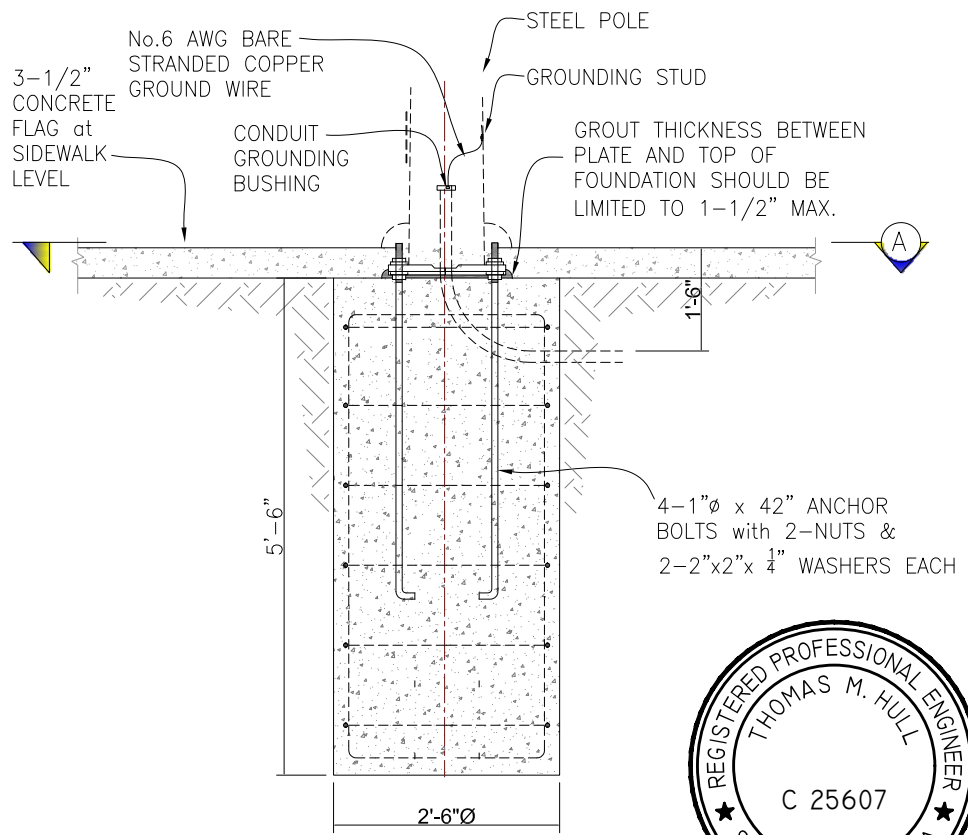
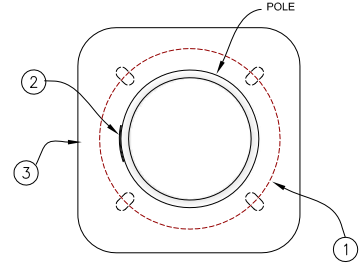


ANCHORAGE DETAIL NOTES:

- ① 10" BOLT CIRCLE
- ② HANDHOLE (TYP)
- ③ 10.5" SQUARE BASE PLATE



ANCHORAGE DETAIL

Scale: _____ NTS

NOTES:

1. CONCRETE STRENGTH TO BE 4,000psi, CLASS 7 4000-1, 1.5 WITH 4-INCHES MAXIMUM SLUMP.
2. REINFORCING TO BE ASTM A615, GR. 60.
3. FOUNDATION SET TO CURE A MINIMUM OF 5-DAYS.
4. ALL MATERIALS and DIMENSION OF PIER FOOTING ARE DESCRIBED BY TECHNICAL MEMO FROM PUC/EMB-STR GROUP (AUGUST 2016).



SECTION VIEW
Scale: _____ NTS

Plot Time: Fri, 09 Oct 2020 - 9:52am
Drawing Path: W:\BLHP\SL Technical Engineering, Pole Asset Management and Mapping As-Built\SL Recommended Construction\PEENG-12 Streetlight Pedestrian Pole Foundation Installation Detail.dwg (2020 Oct 09).dwg, Login: rclavel



City and County of San Francisco
PUBLIC UTILITIES COMMISSION
POWER ENTERPRISE
UTILITY SERVICES / STREET LIGHTING

NO.	DATE	DESCRIPTION	BY	APP.

TABLE OF REVISIONS
CHECK WITH TRACING TO SEE IF YOU HAVE LATEST REVISION

DETAILED By: RClavel/RHuang RECOMMENDED By: EDille REVIEWED By: RHuang REVIEWED By: (EMB-Structural) Thomas Hull	DATE: 10/9/2020 DATE: 3/13/2019 DATE: 10/9/2020 DATE: 3/13/2019	APPROVED: HDoan MAINTENANCE SECTION ALashanlo ENGINEERING SECTION RStephens SECTION MANAGER	DATE: DATE: DATE: DATE:
---	--	--	----------------------------------

PROJECT TITLE: **Streetlight Pedestrian Pole Foundation Installation Detail1**

SPECIFICATION NO.
DRAWING NO. 1 OF 1
FILE NO. PEENG-12
REV. NO.

Measurement Units in English