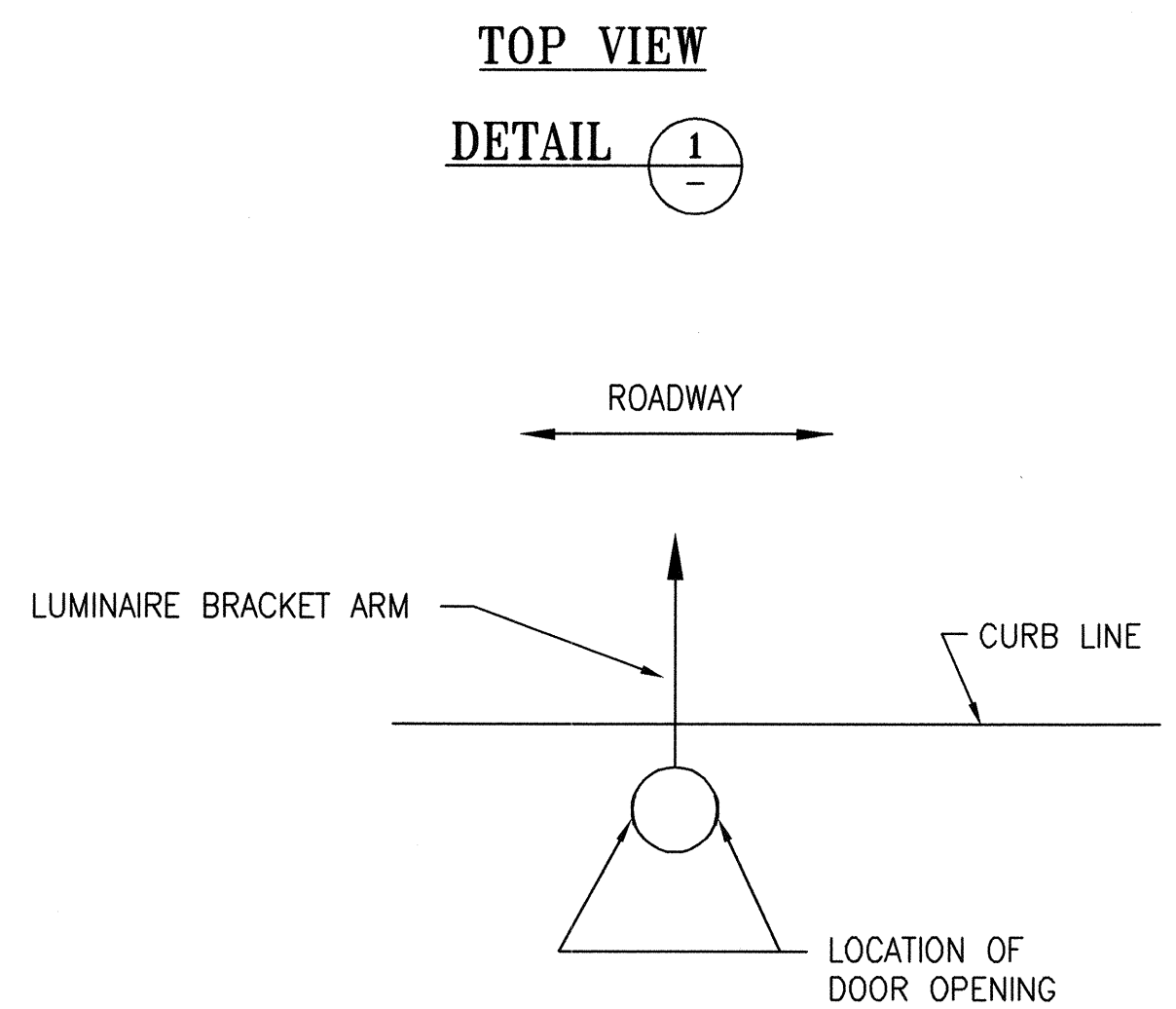
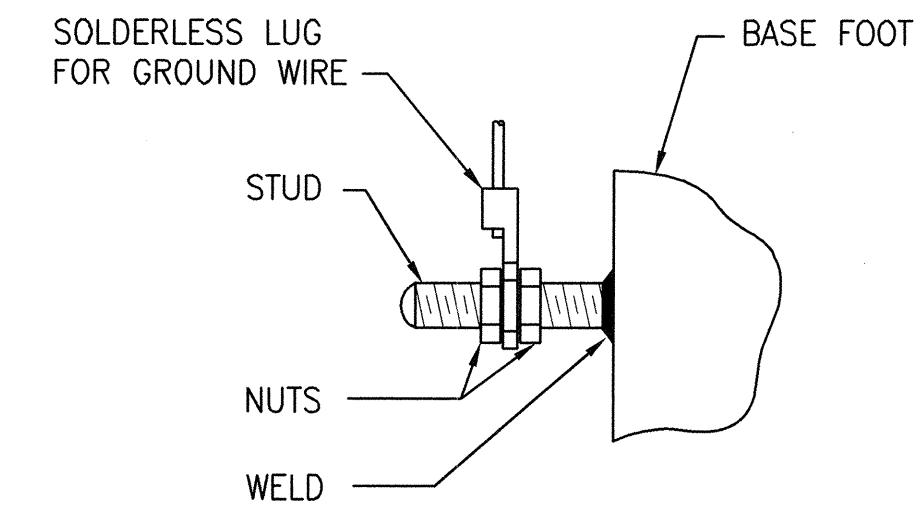
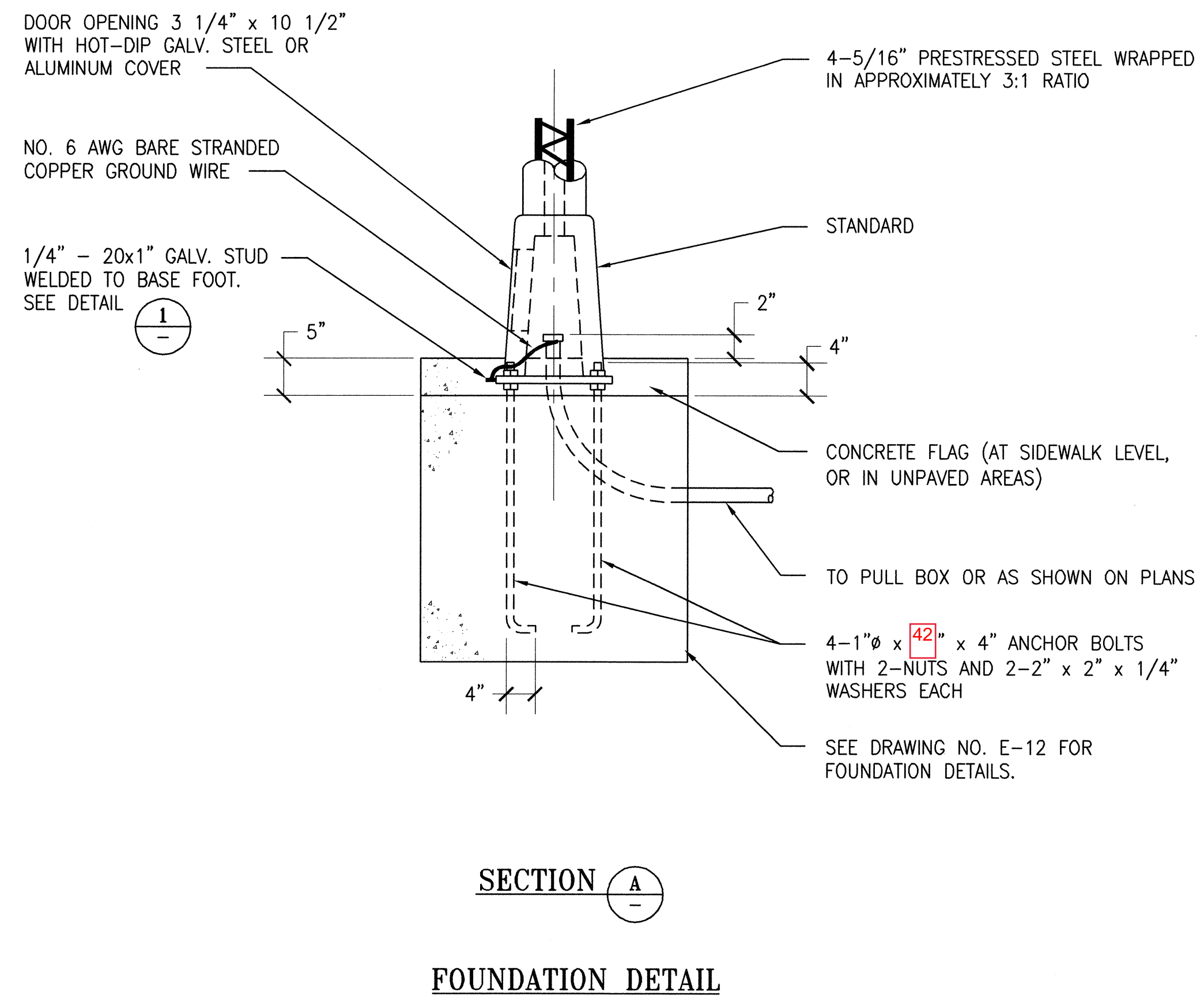
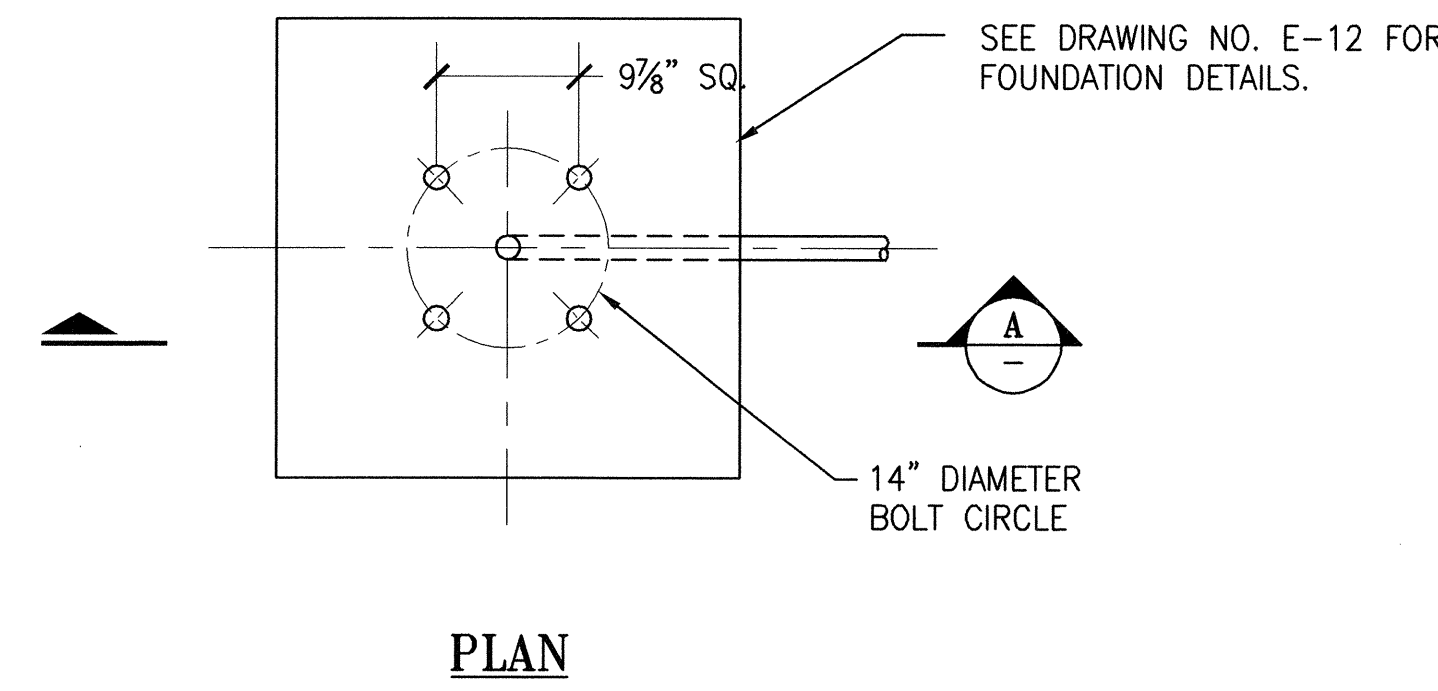
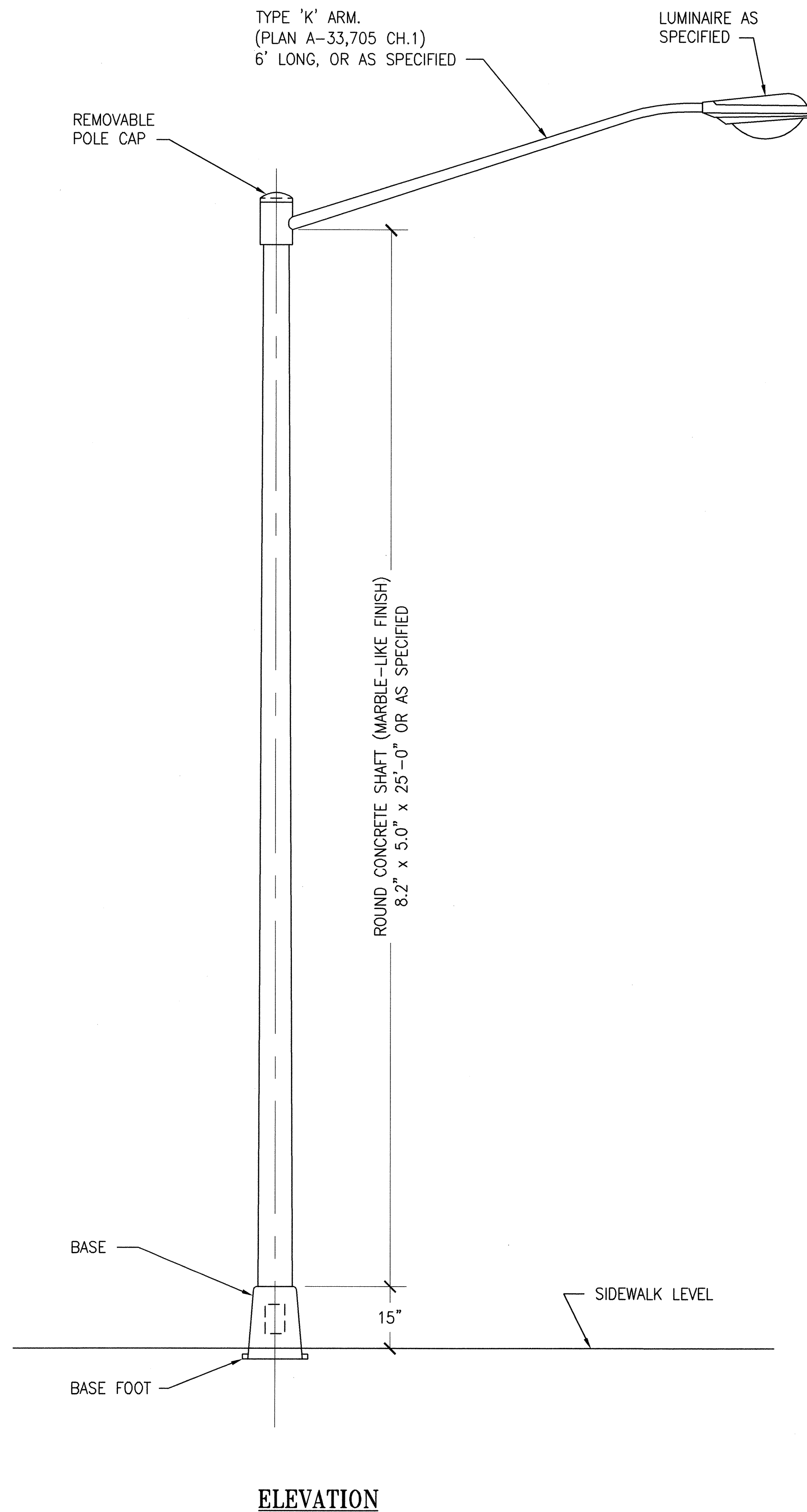


**SHEET NOTES:**

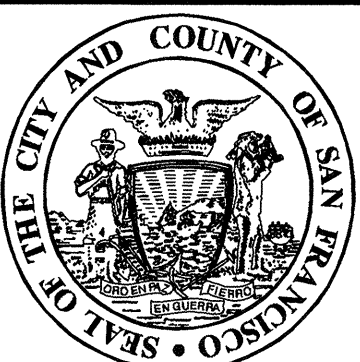
1. THE DOOR OPENING COVER SHALL HAVE SAME CONTOUR AS THAT OF THE SHAFT AND WHEN INSTALLED SHALL BLEND SYMMETRICALLY WITH THE SURFACE OF THE SHAFT.
2. THE POLE-TOP BRACKET, BRACKET ARM, POLE TOP, AND ANCHOR BOLTS WITH NUTS AND WASHERS SHALL BE STEEL, HOT-DIP GALVANIZED AFTER FABRICATION.
3. ALL SCREWS, NUTS AND WASHERS FURNISHED AND INSTALLED SHALL BE FABRICATED FROM STAINLESS STEEL; WASHERS SHALL BE OF THE SHAKEPROOF TYPE WITH INTERNAL TEETH.
4. BEFORE INSTALLING THE POLE-TOP BRACKET ARM ASSEMBLY, THE THREADED RODS PROTRUDING FROM THE TOP OF THE STANDARD SHALL BE COATED WITH GREASE CONTAINING A HIGH CONTENT OF GRAPHITE.
5. LOCATION AND ORIENTATION OF LUMINAIRE, AND NUMBER AND DIRECTION OF CONDUITS SHALL BE AS SHOWN ON PLANS OR AS SPECIFIED.
6. ON STREETS WHERE GRADES EXCEED 3 PERCENT, STANDARDS SHALL BE INSTALLED WITH THE DOOR OPENING ON THE 'DOWNHILL' SIDE OF THE STANDARD.



This Standard Plan was developed for use on public works projects in the City and County of San Francisco, and shall not be used without consulting a Registered Professional Engineer. The Department of Public Works reserves the right to make revisions to this Standard Plan at any time.

NO.	DATE	DESCRIPTION	BY	APP.
TABLE OF REVISIONS				
CHECK WITH TRACING TO SEE IF YOU HAVE LATEST REVISION				

REFERENCE INFORMATION & FILE NO. OF SURVEYS



**BUREAU OF ENGINEERING**  
**DEPARTMENT OF PUBLIC WORKS**  
**CITY AND COUNTY OF SAN FRANCISCO**

REVIEWED:	DATE:	PLANS APPROVAL DATE:	APRIL 30, 2007
BC	01/2007	<i>Jawad Iwsh</i>	4/27/07
DRAWN:	DATE:	SECTION MANAGER	
RT	01/2007	<i>ML</i>	4/30/07
CHECKED:	DATE:	DEPUTY BUREAU MANAGER	
TA	01/2007	<i>Jam Chi</i>	
		BUREAU MANAGER	

<b>STANDARD PLAN</b>	OLD FILE NO.
<b>ELECTRICAL</b>	40,988
<b>STREET LIGHT ON ROUND CONCRETE STANDARD FOR RESIDENTIAL AREAS INSTALLATION DETAILS</b>	FILE NO.
	87,205
	REV. NO.

Drawing Path: V:\09666\Standard Plans & Specs Update\2\_Plans\FINAL\ELE\disciplin-elec.dwg  
 Plot Time: Fri, 27 Apr 2007 - 5:45pm  
 Dimension Scale: 40  
 Model Units: Feet  
 Xrefs: V:\09666\Standard Plans & Specs Update\2\_Plans\FINAL\BCE\STD Title Block.dwg  
 V:\09666\Standard Plans & Specs Update\2\_Plans\FINAL\ELE\disciplin-elec.dwg