

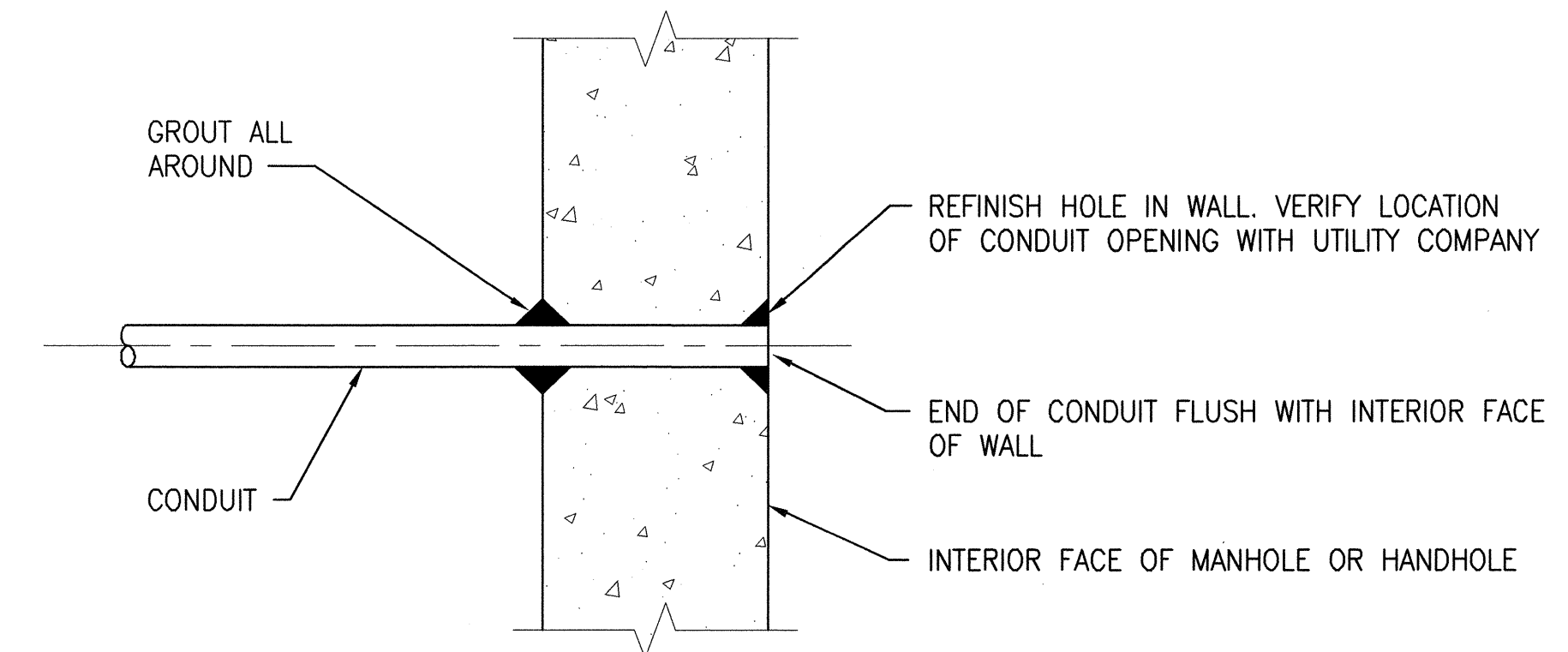
Conduit Size as Required by Conduit Owner

2" PVC CONDUIT (WITHIN 24" MIN. RADIUS, 90° BEND AND BELLED END INTO BOX) AND PULL BOX (WITH EXTENSION) INSTALLED BY CONTRACTOR

SFPUC streetlight conduits should be 1.5' RGS

SHEET NOTES:

1. CONDUITS TO UTILITY COMPANY MANHOLES AND HANDHOLES SHALL BE 1 1/2" TRADE SIZE, UNLESS OTHERWISE NOTED.
2. THE LOCATIONS OF CONDUITS IN OR ON PACIFIC GAS AND ELECTRIC COMPANY OWNED FACILITY WILL BE DETERMINED BY A REPRESENTATIVE OF THE COMPANY. ALL WORK IN OR ON THE COMPANY OWNED FACILITY SHALL BE DONE ONLY IN THE PRESENCE OF A REPRESENTATIVE OF THE COMPANY UNLESS OTHERWISE DIRECTED BY SAID REPRESENTATIVE.
3. THE CONTRACTOR SHALL FURNISH AND INSTALL A GROUND ROD FOR EACH SERVICE INSTALLATION. GROUND ROD SHALL BE COPPERCLAD STEEL, 5/8" x 10 FT. LONG.
4. SERVICE WIRING SHALL BE OF SUFFICIENT LENGTH TO REACH THE LOCATION OF SERVICE CONNECTIONS WITHIN OR ON THE UTILITY OWNED FACILITY AS DIRECTED BY A REPRESENTATIVE OF THE UTILITY COMPANY.
5. THE 2" PVC CONDUIT FURNISHED AND INSTALLED FOR WOOD POLE SERVICE SHALL BE CONSIDERED AS INCIDENTAL WORK.



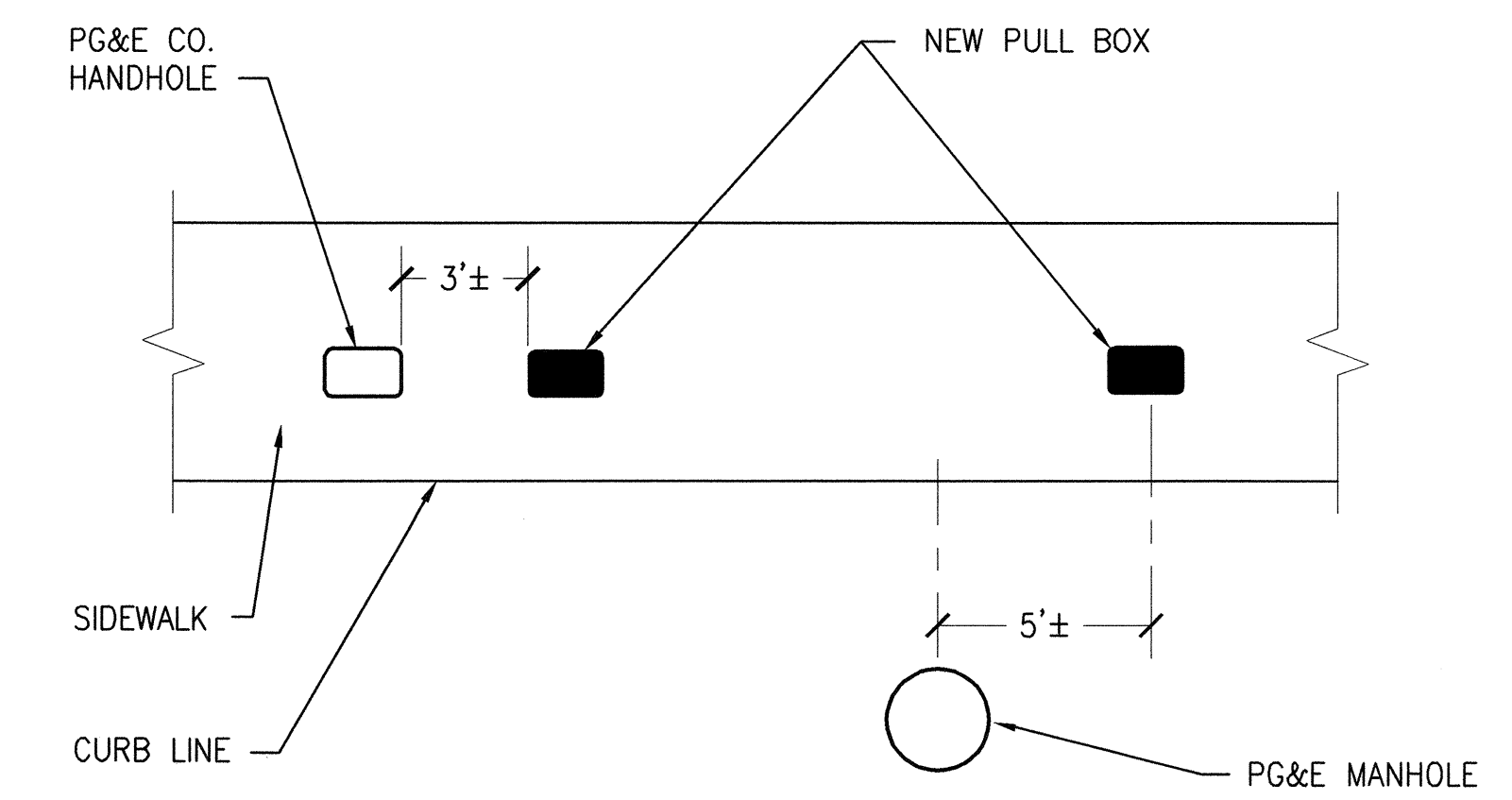
GROUT ALL AROUND

CONDUIT

REFINISH HOLE IN WALL. VERIFY LOCATION OF CONDUIT OPENING WITH UTILITY COMPANY

END OF CONDUIT FLUSH WITH INTERIOR FACE OF WALL

INTERIOR FACE OF MANHOLE OR HANDHOLE



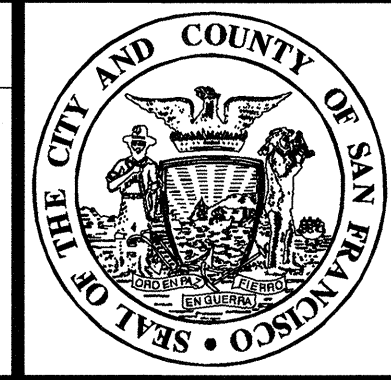
TYPICAL LOCATIONS OF PULL BOXES NEAR SERVICE FACILITIES

INSTALLATION OF SERVICE CONDUITS IN OR ON UTILITY OWNED WOOD POLES, MANHOLES & HANDHOLES

This Standard Plan was developed for use on public works projects in the City and County of San Francisco, and shall not be used without consulting a Registered Professional Engineer. The Department of Public Works reserves the right to make revisions to this Standard Plan at any time.

NO.	DATE	DESCRIPTION	BY	APP.
TABLE OF REVISIONS				
CHECK WITH TRACING TO SEE IF YOU HAVE LATEST REVISION				

REFERENCE INFORMATION & FILE NO. OF SURVEYS



BUREAU OF ENGINEERING
 DEPARTMENT OF PUBLIC WORKS
 CITY AND COUNTY OF SAN FRANCISCO

REVIEWED: DATE: 01/2007
 DRAWN: DATE: 01/2007
 CHECKED: DATE: 01/2007
 TA

PLANS APPROVAL DATE: APRIL 30, 2007
General Swiche 4/27/07
 SECTION MANAGER
Mh 4/30/07
 DEPUTY BUREAU MANAGER
James Chiu
 BUREAU MANAGER

STANDARD PLAN
ELECTRICAL
SERVICE CONDUITS IN OR ON UTILITY OWNED WOOD POLES, MANHOLES AND HANDHOLES

OLD FILE NO. 49,091
 FILE NO. 87,206
 REV. NO.

Drawing Path: V:\0966\Standard Plans & Specs Update\2_Plan\Title_Block\BOE STD Title Block.dwg
 Plot Time: Fri, 27 Apr 2007 - 5:44pm
 Model Units: Feet
 Dimension Scale: 40
 V:\0966\Standard Plans & Specs Update\2_Plan\FINAL\ELE\discamer-ele.dwg