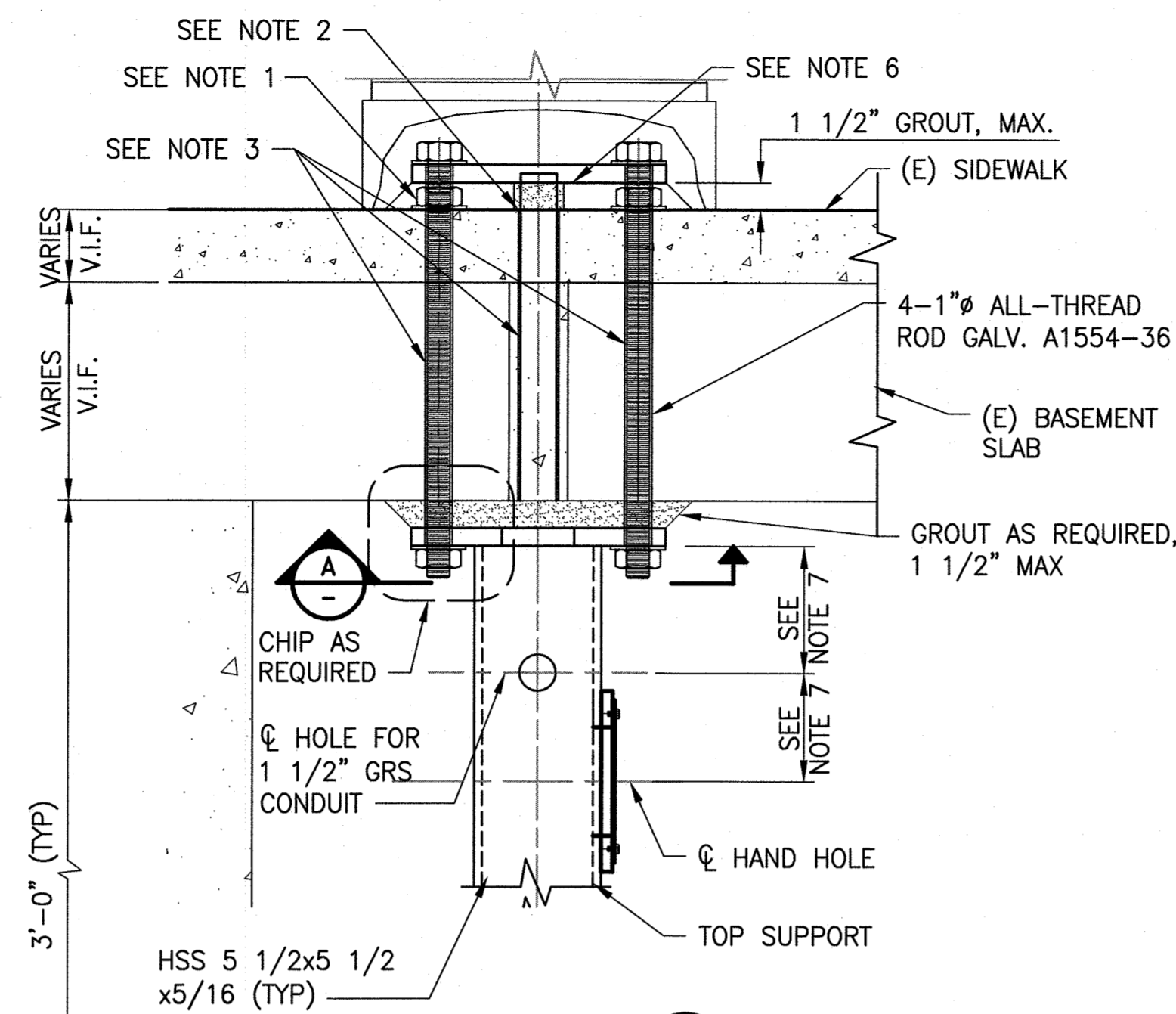
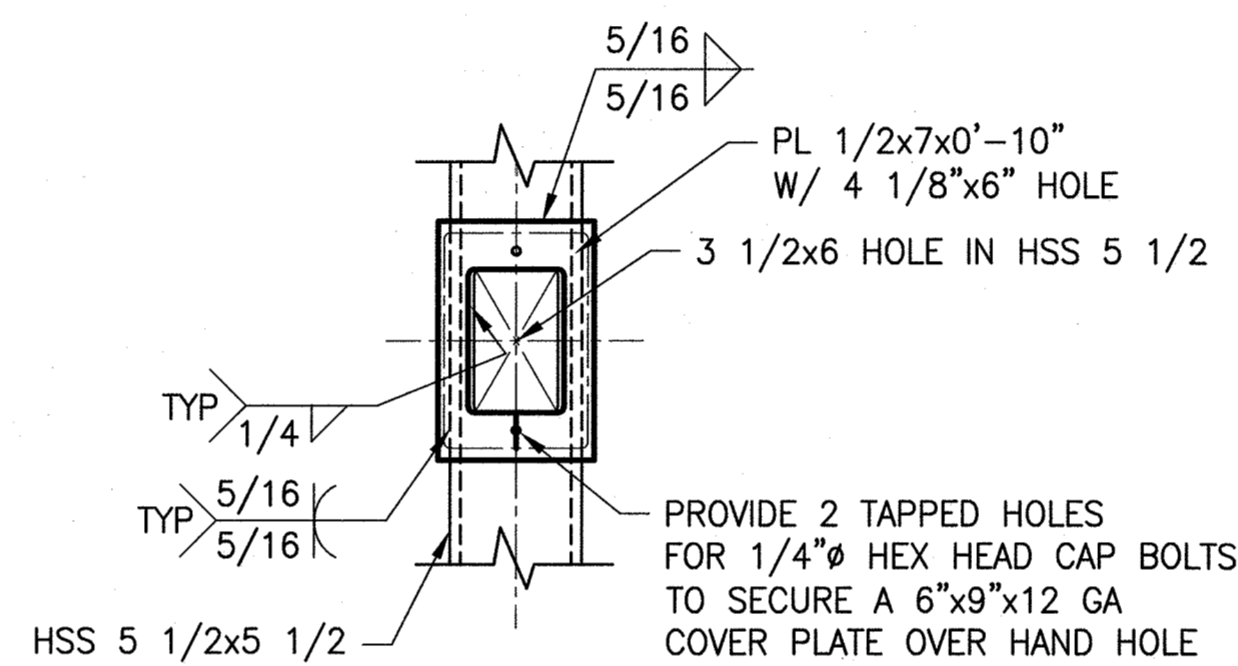


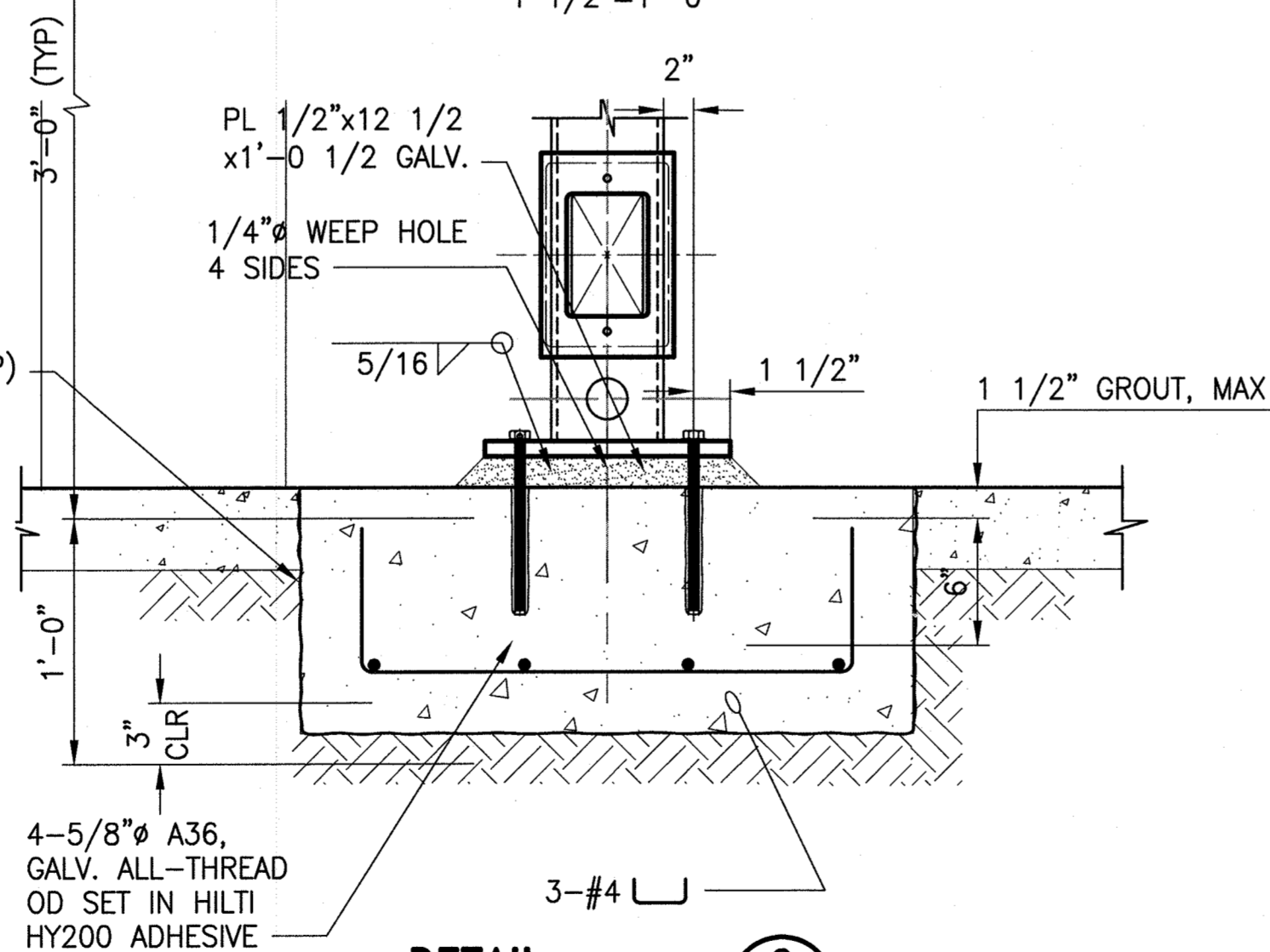
TYPICAL BASEMENT SUPPORT FOR STREETLIGHT
1"=1'-0"



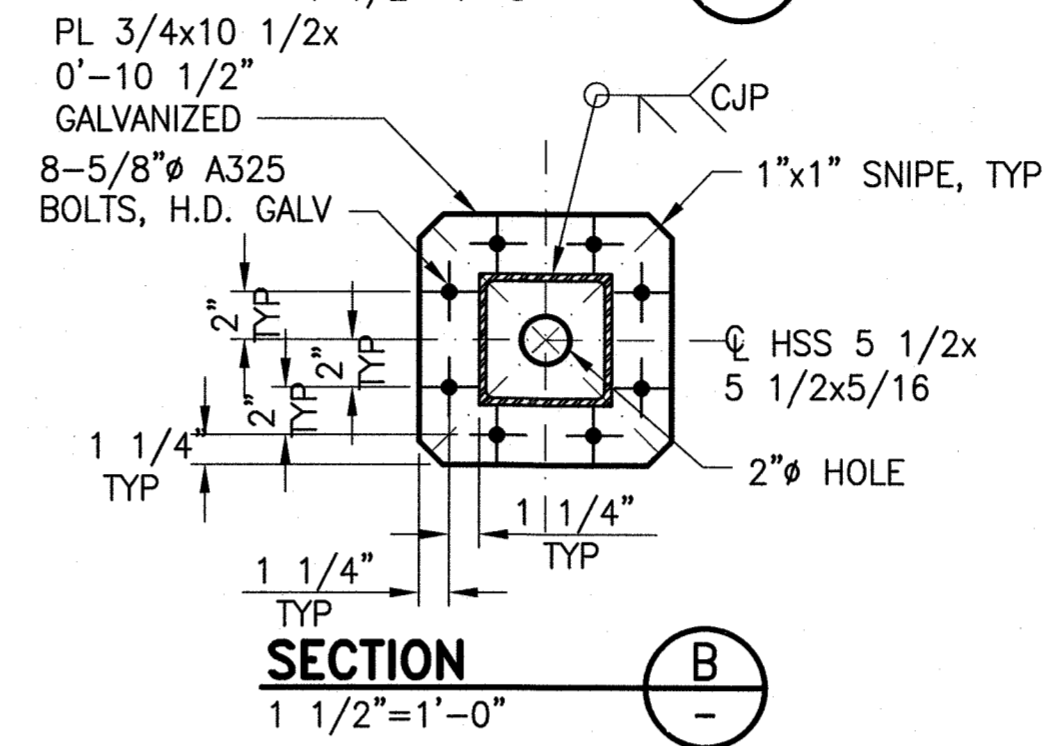
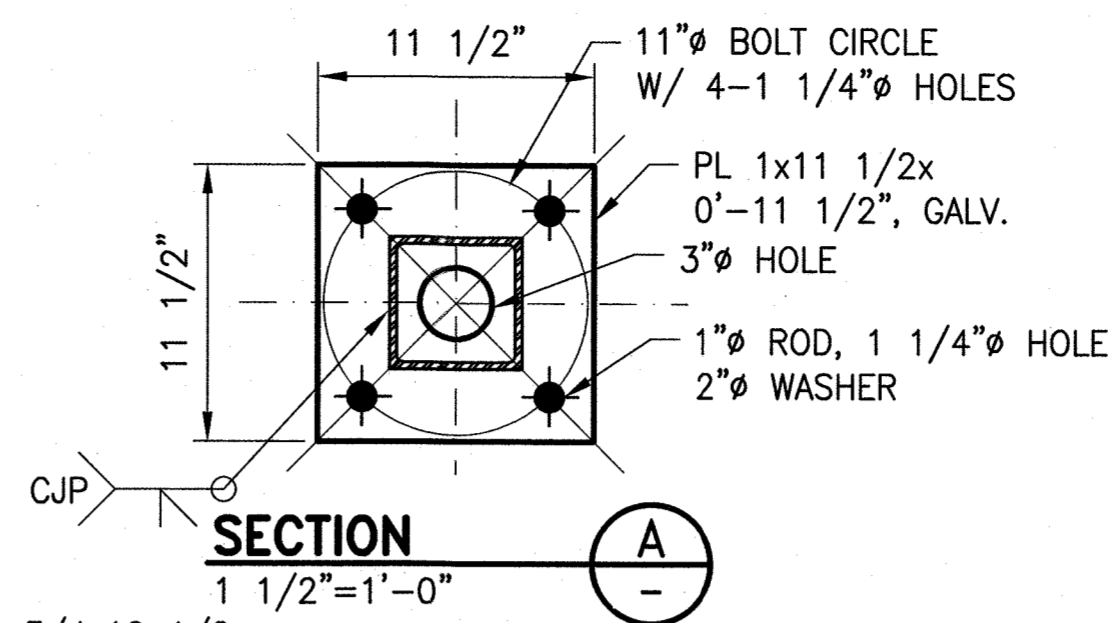
DETAIL 1
1 1/2"=1'-0"



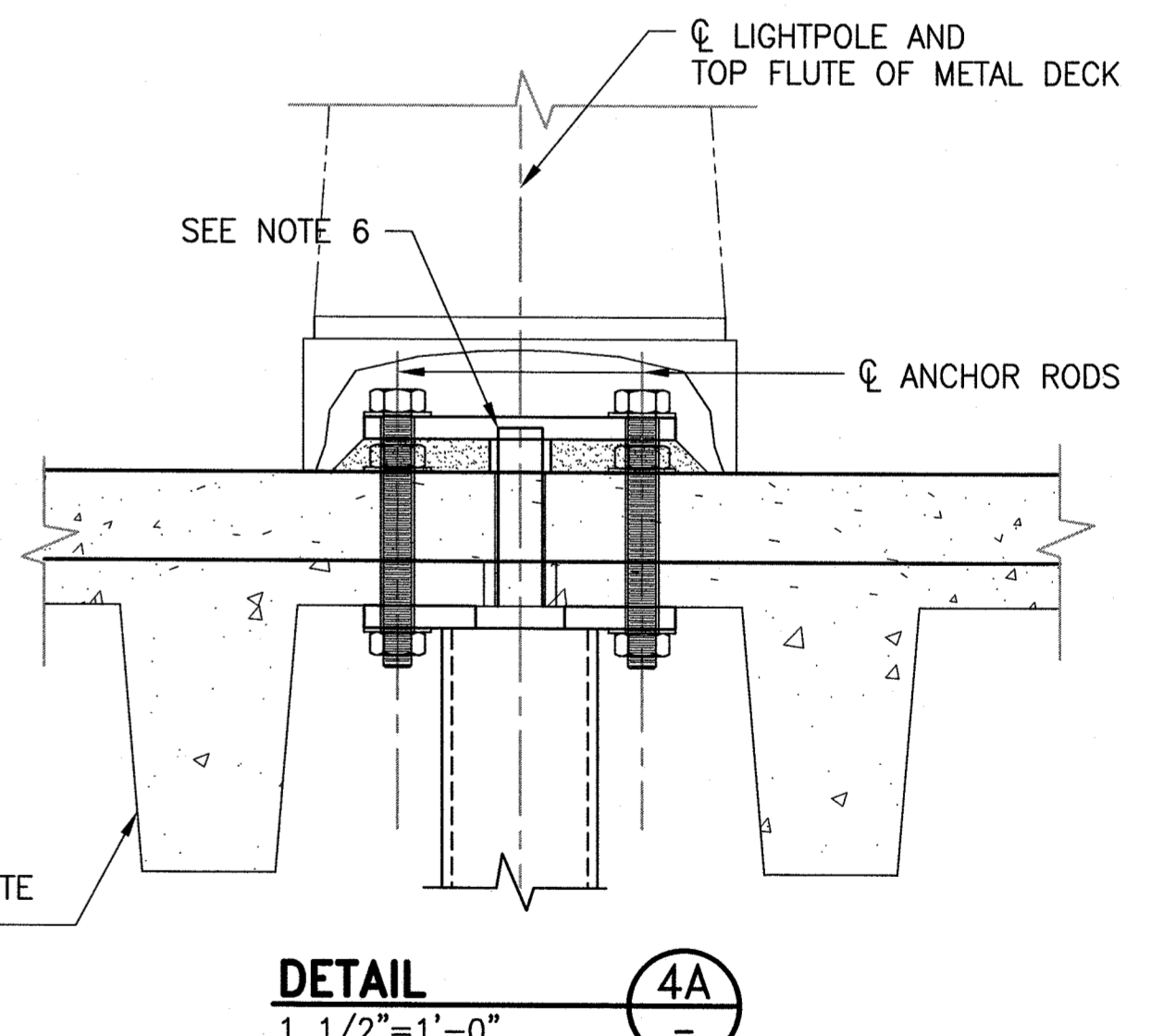
DETAIL 3
1 1/2"=1'-0"



DETAIL 2
1 1/2"=1'-0"



DETAIL 4
1 1/2"=1'-0"



NOTES:

1. PROVIDE JAM NUT AND WASHER. CAULK GAP BETWEEN ROD AND HOLE.
2. SEAL GAP BETWEEN CONCRETE AND CONDUIT WITH CAULK, 2 1/2-1 1/2 REDUCING WASHER AND PIPE NUT, TYPICAL TOP AND BOTTOM.
3. CORE DRILL CLEARANCE HOLES FOR RODS AND CONDUITS. HOLES MUST BE PLUMB IN ORDER TO MATCH POLE BASE PLATE HOLES.
4. VERIFY DIMENSIONS IN FIELD AND DRILL PILOT HOLE TO VERIFY POLE CENTERLINE RELATIVE TO BASEMENT WALL LOCATION. NOTIFY CITY REPRESENTATIVE OF CONDITIONS THAT WOULD PREVENT INSTALLATION OF HSS TUBE AND/OR TOP AND BOTTOM BASE PLATES.
5. AT LOCATION WHERE METAL DECK IS USED TO SUPPORT SIDEWALK SLAB, CENTER LIGHTPOLE ABOVE CENTERLINE OF TOP FLUTE OF METAL DECK. SEE DETAIL 4 AT LOCATION WHERE CONCRETE JOISTS ARE USED TO SUPPORT SIDEWALK SLAB. CENTER LIGHTPOLE BETWEEN JOISTS. SEE DETAIL 4A.
6. PROVIDE SLEEVE OR OTHER MEANS TO PREVENT GROUT FROM ENTERING CONDUIT. EXTEND SLEEVE 2" ABOVE SIDEWALK, TYP.
7. COORDINATE OPENING LOCATION AND ORIENTATION WITH CITY REPRESENTATIVE.
8. CONTRACTOR SHALL PERFORM SUBSURFACE GEOPHYSICAL SURVEY OR OTHER PHYSICAL SURVEY TO LOCATE INSIDE FACE OF BASEMENT WALL AT LEAST 14 DAYS PRIOR TO LIGHTPOLE/CONDUIT INSTALLATION.
9. HSS 5 1/2x5 1/2x 5/16 TO BE A500, GR B. PLATES TO BE A572, 50 ksi.
10. ALL STEEL TO BE HOT DIPPED GALVANIZED. ALL THREADED RODS AND BOLTS SHALL BE HOT DIPPED GALVANIZED.



SAN FRANCISCO PUBLIC UTILITIES COMMISSION
POWER ENTERPRISE
ENGINEERING : STREETLIGHTS + DISTRIBUTION



DESIGNED:	DATE:	SCALE:
TH	01/19	AS NOTED
DRAWN:	DATE:	REFERENCE INFO
RRP	01/19	
CHECKED:	DATE:	
WY	01/19	

TYPICAL FOR SQUARE FOOTING AWAY FROM WALL

TYPICAL BASEMENT SUPPORT FOR 11" DIAMETER BOLT CIRCLE STREET LIGHT

CONTRACT NO.	
PW-006R	
FILE NO.	
DRAWING NO.	REVISION
S1-03	